

INTERPRET GEOMETRIC TOLERANCING PER:

UNLESS OTHERWISE SPECIFIED:

DIMENSIONS ARE IN INCHES
 TOLERANCES:
 FRACTIONAL ±
 ANGULAR: MACH ± BEND ±
 TWO PLACE DECIMAL ±
 THREE PLACE DECIMAL ±

DRAWN BY:

NAME DATE

KJB

COMMENTS:

TITLE: Assembly_Full

SIZE

DWG. NO.

REV

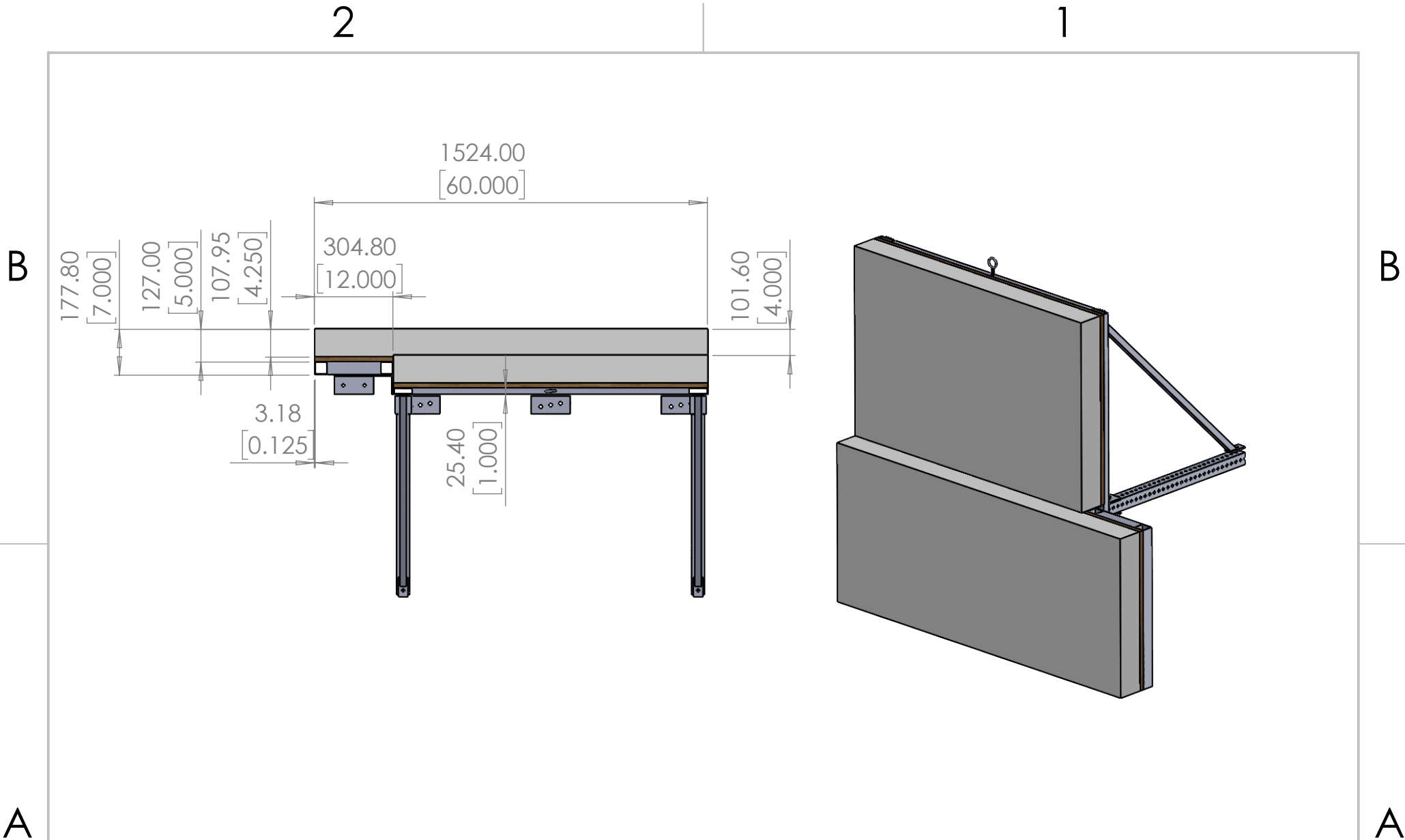
A

MATERIAL

FINISH

SCALE: 1:20 WEIGHT:

SHEET 1 OF 3



INTERPRET GEOMETRIC TOLERANCING PER:

UNLESS OTHERWISE SPECIFIED:

DIMENSIONS ARE IN INCHES
 TOLERANCES:
 FRACTIONAL ±
 ANGULAR: MACH ± BEND ±
 TWO PLACE DECIMAL ±
 THREE PLACE DECIMAL ±

MATERIAL

FINISH

DRAWN BY:

NAME

DATE

KJB

COMMENTS:

TITLE: Assembly_Full

SIZE

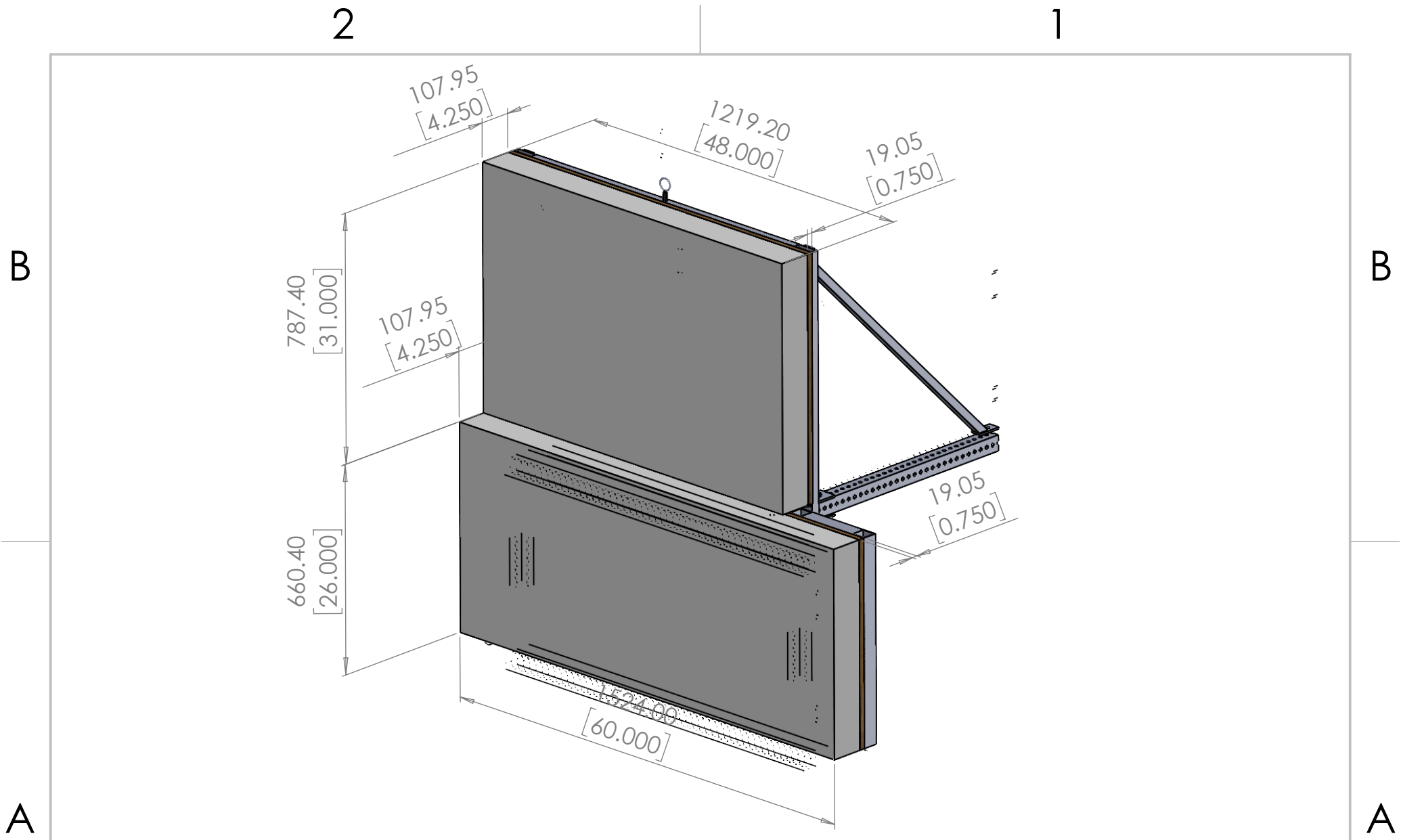
DWG. NO.

REV

A

SCALE: 1:20 WEIGHT:

SHEET 2 OF 3



INTERPRET GEOMETRIC TOLERANCING PER:

UNLESS OTHERWISE SPECIFIED:

DIMENSIONS ARE IN INCHES
 TOLERANCES:
 FRACTIONAL ±
 ANGULAR: MACH ± BEND ±
 TWO PLACE DECIMAL ±
 THREE PLACE DECIMAL ±

MATERIAL

FINISH

NAME

DATE

DRAWN BY:

KJB

COMMENTS:

TITLE: Assembly_Full

SIZE

DWG. NO.

REV

A

SCALE: 1:15 WEIGHT:

SHEET 3 OF 3